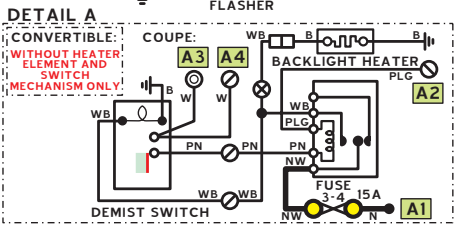


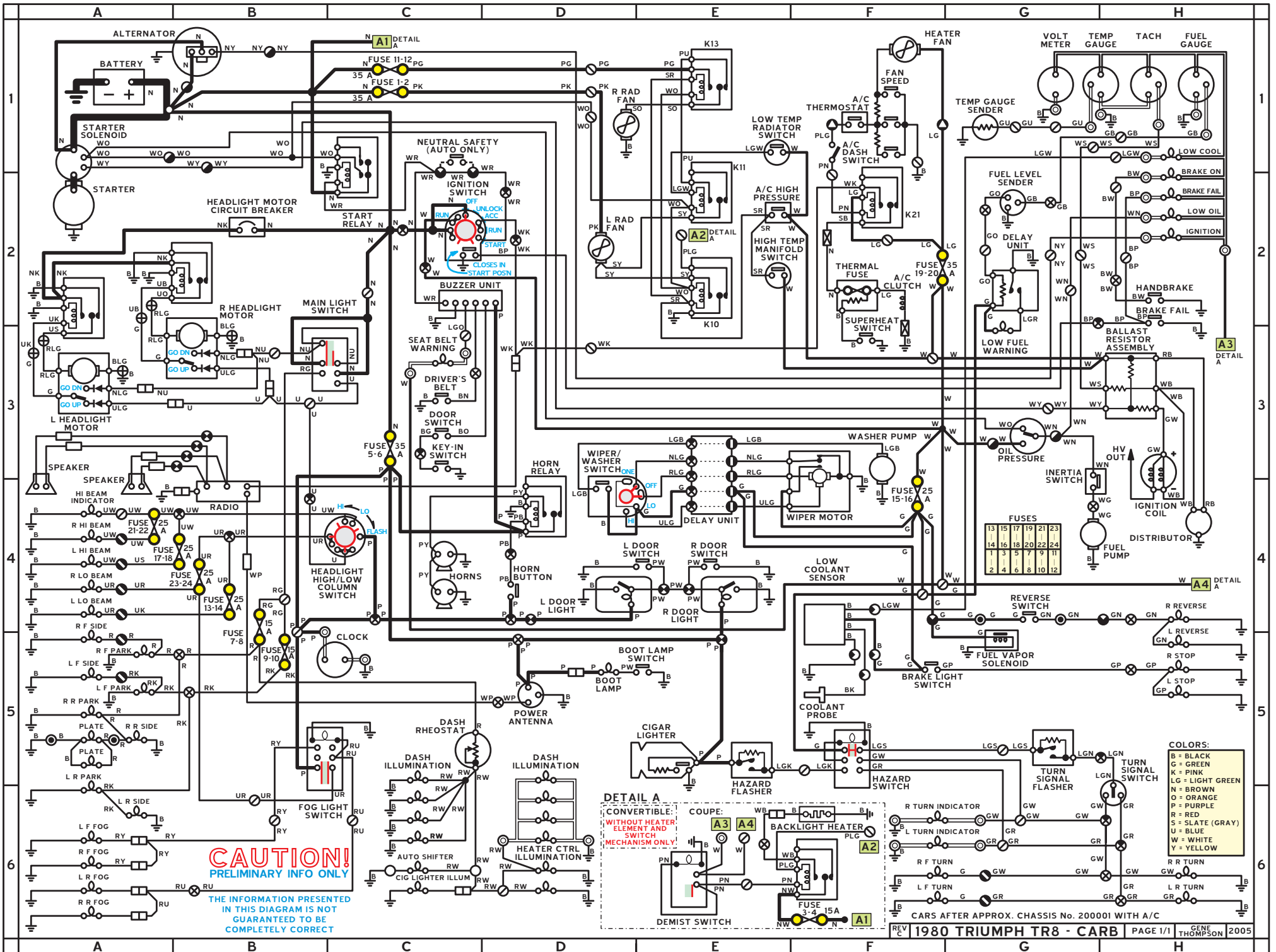
CAUTION!
PRELIMINARY INFO ONLY
 THE INFORMATION PRESENTED
 IN THIS DIAGRAM IS NOT
 GUARANTEED TO BE
 COMPLETELY CORRECT

COLORS:
 B = BLACK
 G = GREEN
 K = PINK
 LG = LIGHT GREEN
 N = BROWN
 O = ORANGE
 P = PURPLE
 R = RED
 S = SLATE (GRAY)
 U = BLUE
 W = WHITE
 Y = YELLOW

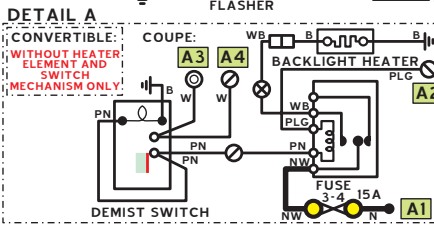


FUSES

13	15	17	19	21	23
14	16	18	20	22	24
1	3	5	7	9	11
2	4	6	8	10	12



CAUTION!
 PRELIMINARY INFO ONLY
 THE INFORMATION PRESENTED
 IN THIS DIAGRAM IS NOT
 GUARANTEED TO BE
 COMPLETELY CORRECT

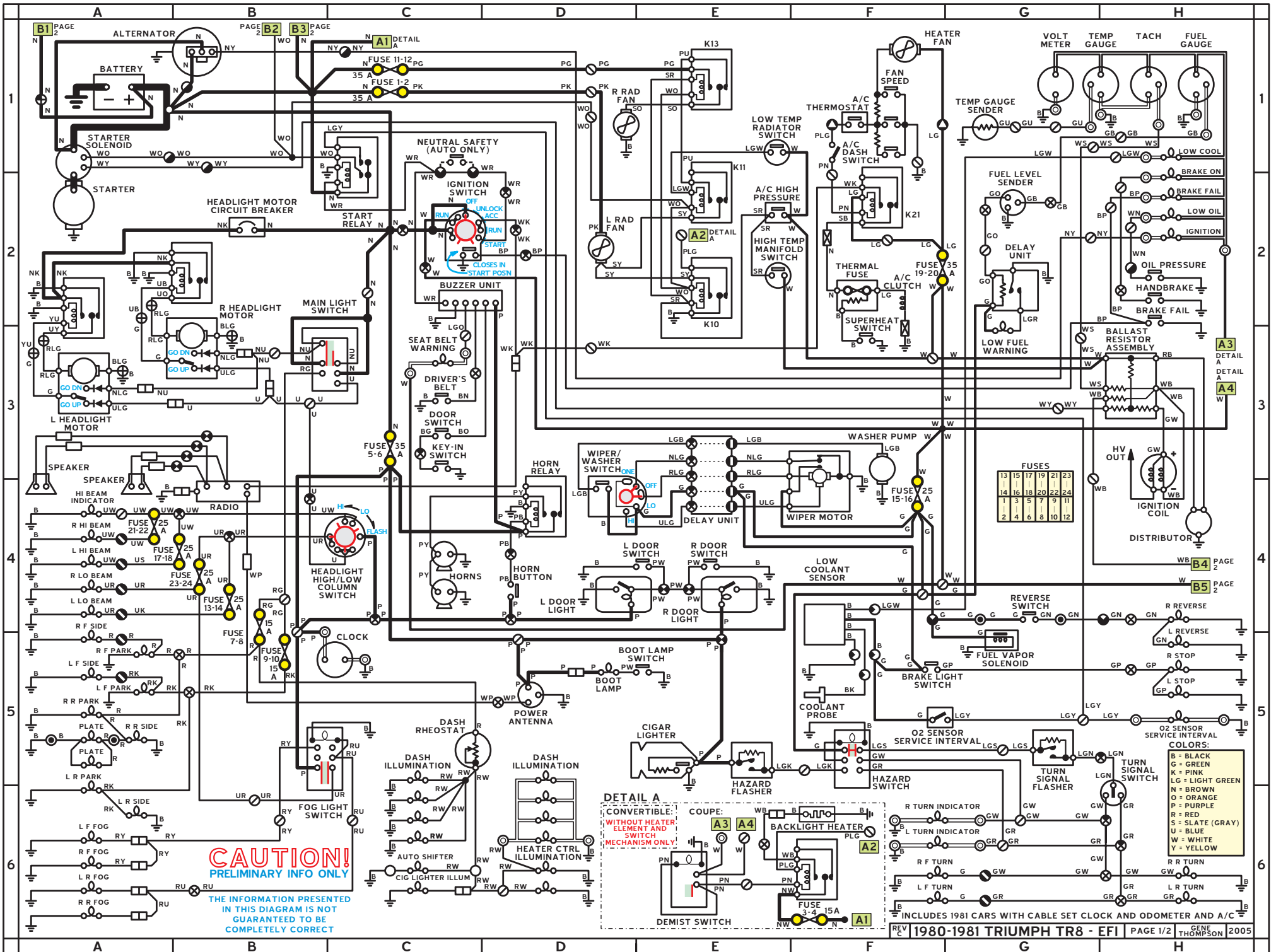


FUSES

13	15	17	19	21	23
14	16	18	20	22	24
3	5	7	9	11	
2	4	6	8	10	12

COLORS:

- B = BLACK
- G = GREEN
- K = PINK
- LG = LIGHT GREEN
- N = BROWN
- O = ORANGE
- P = PURPLE
- R = RED
- S = SLATE (GRAY)
- U = BLUE
- W = WHITE
- Y = YELLOW



A B C D E F G H

1

2

3

4

5

6

1

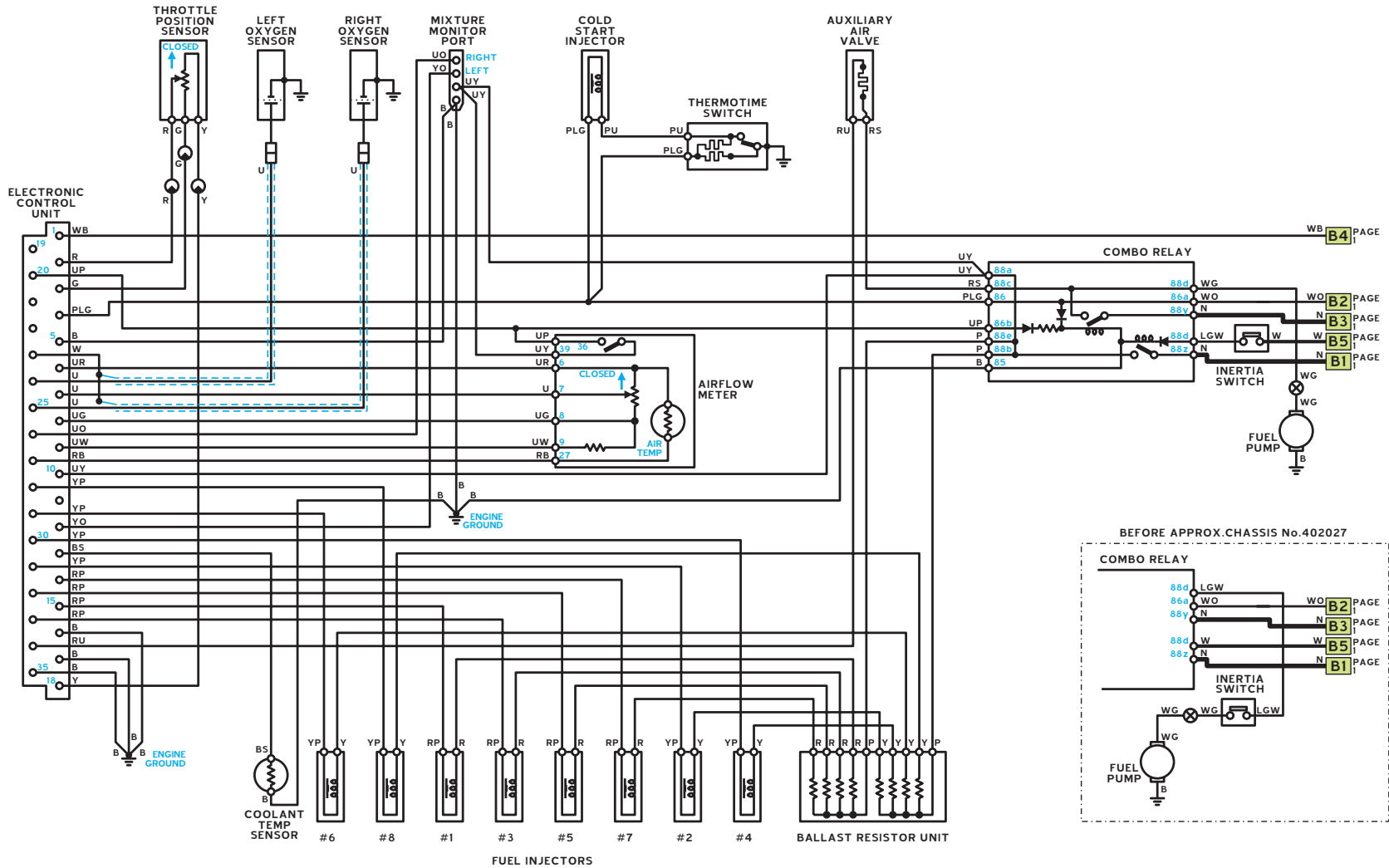
2

3

4

5

6



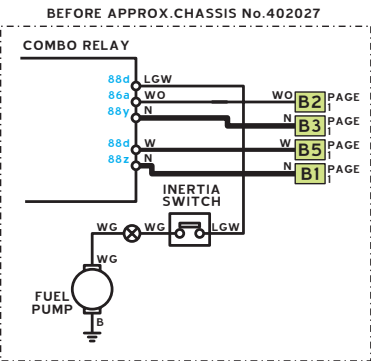
WB [B4] PAGE

WO [B2] PAGE

N [B3] PAGE

W [B5] PAGE

N [B1] PAGE



WO [B2] PAGE

N [B3] PAGE

W [B5] PAGE

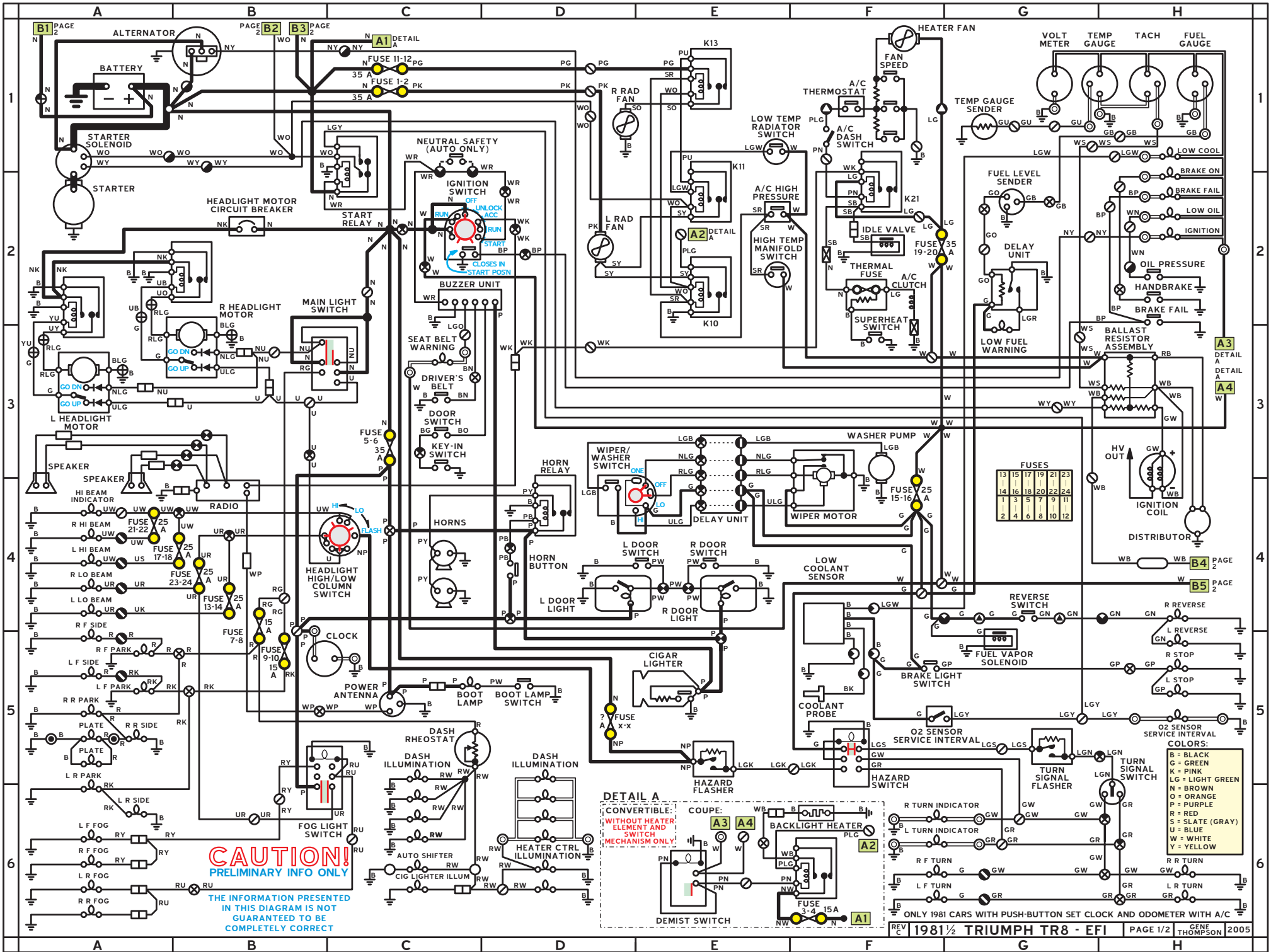
N [B1] PAGE

- COLORS:**
- B = BLACK
 - G = GREEN
 - K = PINK
 - LG = LIGHT GREEN
 - N = BROWN
 - O = ORANGE
 - P = PURPLE
 - R = RED
 - S = SLATE (GRAY)
 - U = BLUE
 - W = WHITE
 - Y = YELLOW

CAUTION!
PRELIMINARY INFO ONLY

THE INFORMATION PRESENTED
IN THIS DIAGRAM IS NOT
GUARANTEED TO BE
COMPLETELY CORRECT

A B C D E F G H



B1 PAGE 2

PAGE 2

B3 PAGE 2

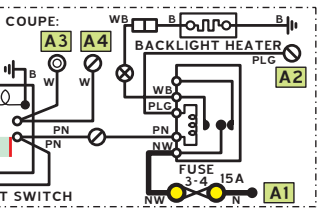
A1 DETAIL

CAUTION!
PRELIMINARY INFO ONLY

THE INFORMATION PRESENTED
IN THIS DIAGRAM IS NOT
GUARANTEED TO BE
COMPLETELY CORRECT

DETAIL A

CONVERTIBLE:
WITHOUT HEATER
ELEMENT AND
SWITCH
MECHANISM ONLY!



13	15	17	19	21	23
14	16	18	20	22	24
1	3	5	7	9	11
2	4	6	8	10	12

COLORS:
B = BLACK
G = GREEN
K = PINK
LG = LIGHT GREEN
N = BROWN
O = ORANGE
P = PURPLE
R = RED
S = SLATE (GRAY)
U = BLUE
W = WHITE
Y = YELLOW

